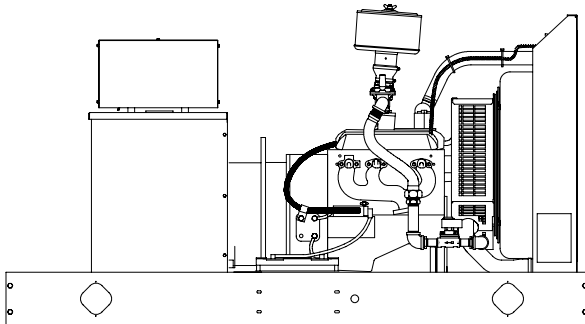


**ISO 9001**  
**KOHLER**  
 POWER SYSTEMS  
 NATIONALLY REGISTERED

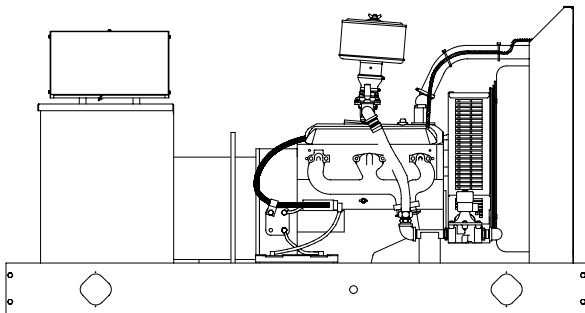
## 35-100RZG-RES, 50RZGB-RES

### Standard Features

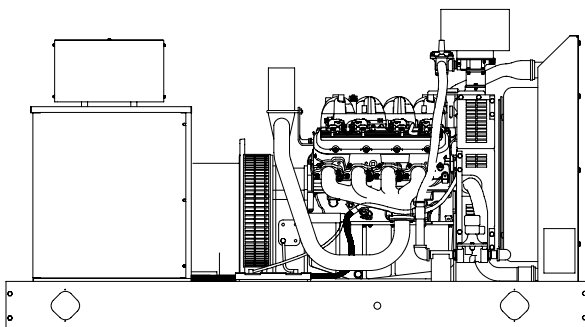
- Kohler Co. provides one-source responsibility for the generating system and accessories.
- The generator set and its components are prototype-tested, factory-built, and production-tested.
- A one-year limited warranty covers all systems and components. Two-, five-, and ten-year extended warranties are also available.
- Alternator features:
  - Kohler's unique Fast-Response™ excitation system delivers the fastest voltage response in the industry.
  - Kohler's permanent magnet excited generator (PMG) provides superior short-circuit capability.
  - All units are connected for 120/240 volt, 60 Hz, single-phase applications. All models have 12-volt engine electrical systems. See the respective model's specification sheet for additional information regarding engine and generator specifications.
  - All units are configured for operation with natural gas fuel. A field conversion kit for LP gas fuel is available as a loose accessory. **Note:** Line and/or safeguard circuit breaker substitution may be necessary to maintain UL listing. Contact your authorized distributor for correct circuit breaker sizing.



**35/45RZG-RES**



**50RZGB-RES/60RZG-RES**



**80/100RZG-RES**

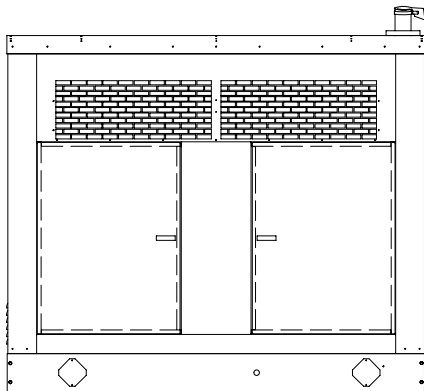
### Other Features

- Battery rack and cables
- Block heater
- Decision-Maker™ 3+ 16-light controller (refer to G6-30 for additional controller features and accessories)
- Electronic, isochronous governor
- Gas fuel system includes fuel mixer, secondary gas regulator, gas solenoid valve, and flexible fuel line between the engine and the skid-mounted fuel system components
- Integral vibration isolation
- Line circuit breaker
- Low coolant level shutdown
- Oil drain extension
- Operation and installation manuals
- Safeguard circuit breaker
- Rodent guards
- UL listing
- Weather enclosure. Easily upgraded to a sound shield enclosure. See the weather enclosure specification sheet for more information.
  - Enclosed insulated critical silencer with tailpipe and rain cap.
  - Skid-mounted, corrosion-resistant construction with hinged and removable doors.
  - Fade-, scratch-, and corrosion-resistant Kohler cream beige and black finish.
  - Lockable, flush-mounted door latches.
  - Air inlet louvers and baffles that prevent rain and snow entry.
  - Pitched enclosure roof to prevent water accumulation.

## Generator Set Ratings

Model	General Motors Engine	Generator Model	Voltage	Ph	Hz	Natural Gas				LP Gas			
						130° C Rise Standby Rating		105° C Rise Prime Rating		130° C Rise Standby Rating		105° C Rise Prime Rating	
						kW/kVA	Amps	kW/kVA	Amps	kW/kVA	Amps	kW/kVA	Amps
35RZG-RES	4.3 L	4Q5	120/240	1	60	38/38	158	34/34	142	38/38	158	34/34	142
45RZG-RES	4.3 L	4Q10	120/240	1	60	41/41	171	37/37	154	45/45	188	41/41	171
50RZGB-RES	5.0 L	4Q10	120/240	1	60	48/48	200	44/44	183	54/54	225	49/49	204
60RZG-RES	5.7 L	4V7	120/240	1	60	57/57	238	51/51	213	61/61	254	55/55	229
80RZG-RES	8.1 L	4V9	120/240	1	60	80/80	333	71/71	296	80/80	333	73/73	304
100RZG-RES	8.1 L	4V11	120/240	1	60	86/86	358	77/77	321	95/95	396	85/85	354

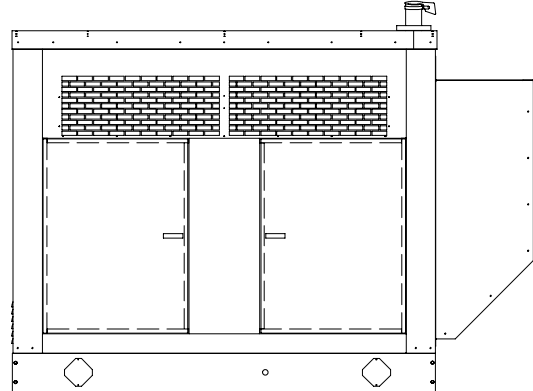
## Weather and Sound Shield Enclosures



**35-60 kW Weather Enclosure  
(standard)**

Overall Size, L x W x H, mm (in.): 2200 x 1040 x 2030  
(86.6 x 40.9 x 80.0)

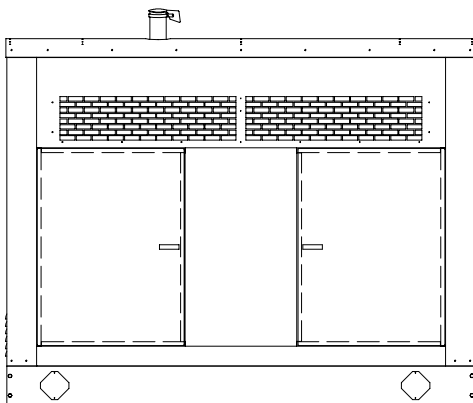
Weight (with generator set), wet, kg (lb.):  
 35RZG-RES 874 (1926)  
 45RZG-RES 926 (2041)  
 50RZGB-RES 1021 (2250)  
 60RZG-RES 1122 (2473)



**35-60 kW Sound Shield Enclosure  
(optional upfit kit required)**

Overall Size, L x W x H, mm (in.): 2708 x 1040 x 2030  
(106.6 x 40.9 x 80.0)

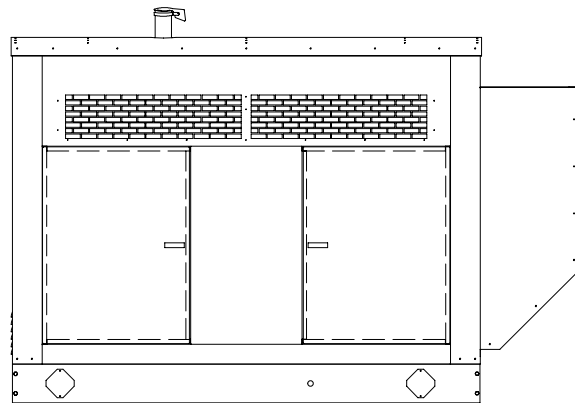
Weight (with generator set), wet, kg (lb.):  
 35RZG-RES 933 (2056)  
 45RZG-RES 985 (2171)  
 50RZGB-RES 1080 (2380)  
 60RZG-RES 1181 (2603)



**80/95 kW Weather Enclosure  
(standard)**

Overall Size, L x W x H, mm (in.): 2400 x 1040 x 2028  
(94.5 x 40.9 x 79.9)

Weight (with generator set), wet, kg (lb.): 1488 (3280)



**80/95 kW Sound Shield Enclosure  
(optional upfit kit required)**

Overall Size, L x W x H, mm (in.): 2908 x 1040 x 2028  
(114.5 x 40.9 x 79.9)

Weight (with generator set), wet, kg (lb.): 1547 (3410)



## Loose Accessories

The following accessories are available as loose accessories.

### Housing System

- Weather to Sound Shield Enclosure Upfit  
(see Sound Shield Enclosure Data)

### Fuel System

- Flexible Fuel Line  
(required when the generator set skid is spring mounted)
- Gas Strainer
- LP Gas Liquid Withdrawal
- Natural Gas to LP Gas Conversion
- Secondary Gas Solenoid Valve

### Electrical System

- Battery
- Battery Charger, Equalize/Float Type
- Battery Heater

### Engine and Generator

- Air Cleaner Restrictor Indicator
- Generator Strip Heater
- Line Circuit Breaker  
(may require resizing when unit is converted to LP fuel)
- Safeguard Circuit Breaker  
(may require resizing when unit is converted to LP fuel)

### Literature and Maintenance

- General Maintenance Literature Kit
- Maintenance Kit (includes standard air, oil, and fuel filters)
- NFPA 110 Literature
- Overhaul Literature Kit
- Production Literature Kit

### Transfer Switches

- Model RDT Transfer Switch, 100–400 Amp
- Model K Transfer Switch, 100–400 Amp
  - MPAC-1000™ controller with real-time clock
  - Programmable settings and inputs/outputs
  - Modbus® communication

Modbus® is a registered trademark of Schneider Electric.

Availability is subject to change without notice. Kohler Co. reserves the right to change the design or specifications without notice and without any obligation or liability whatsoever. Contact your local Kohler® generator set distributor for availability.

## Sound Shield Enclosure Data

Generator Set	Average dB(A) Sound Pressure (Re: 20µPa) at 7 m (23 ft.)
35RZG-RES	71
45RZG-RES	71
50RZGB-RES	71
60RZG-RES	72
80RZG-RES	75
100RZG-RES	75

## Additional Literature

The following specification sheets provide additional information about the topics shown.

	Generator Set	Controller	Weather/ Sound Shield Enclosure	Transfer Switch
35RZG-RES	G4-74	G6-30	G6-52	G11-80 (Model KCT/KCP) G11-89 (Model KDT) G11-98 (Model RDT)
45RZG-RES	G4-75			
50RZGB-RES	G4-83			
60RZG-RES	G4-77			
80RZG-RES	G4-78			
100RZG-RES	G4-79			

## DISTRIBUTED BY: